



# Workflows the Open Source way

With BPMN 2.0 and camunda BPM

#qconlondon #berndruecker

# Introduction

## Bernd Rücker

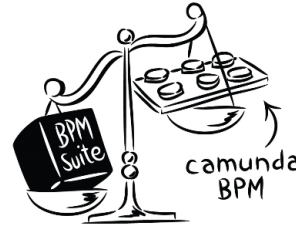
Co-Founder of camunda  
> 10+ years experience  
with workflow and Java EE

@berndruecker  
bernd.ruecker@camunda.com



Booth today:  
No. 17 – 3rd floor  
(Benjamin Britton Lounge)

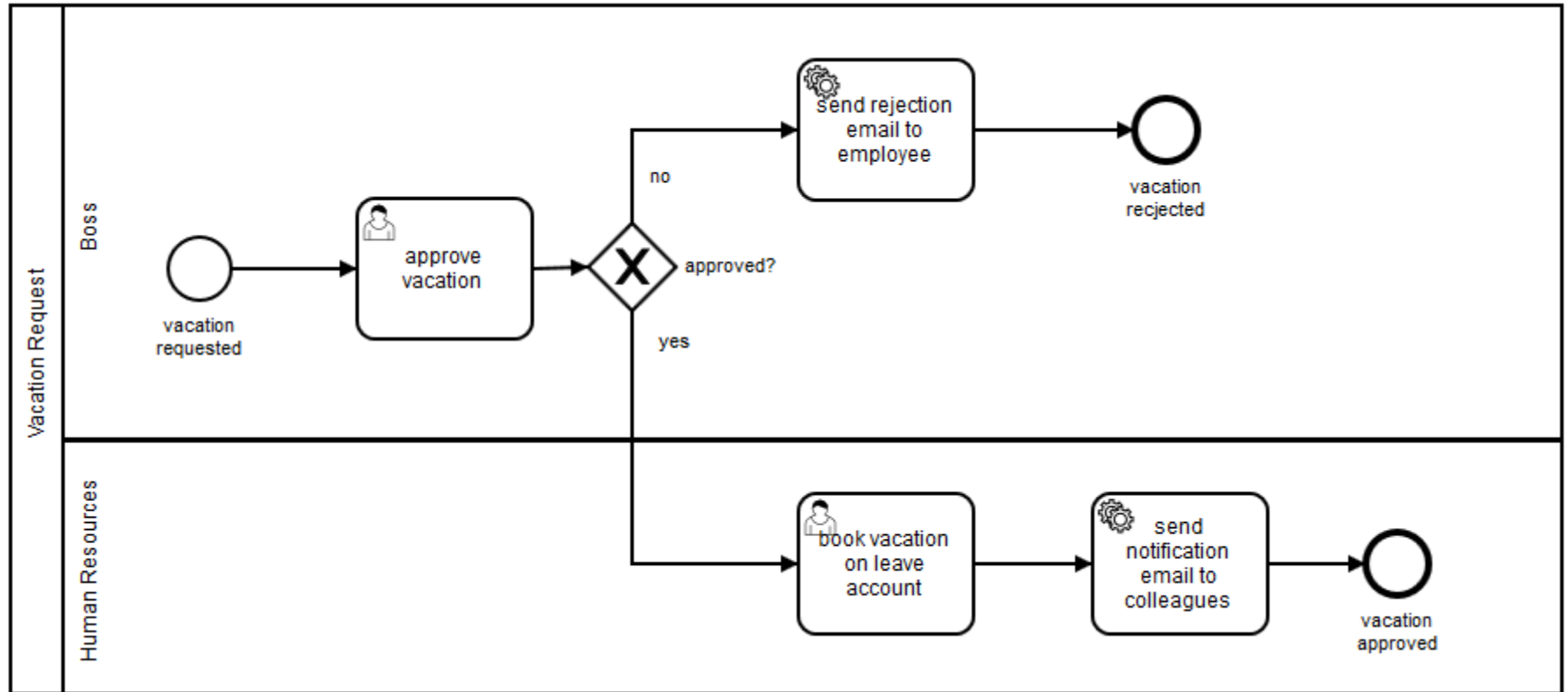
source code  
[github.com/camunda](https://github.com/camunda)



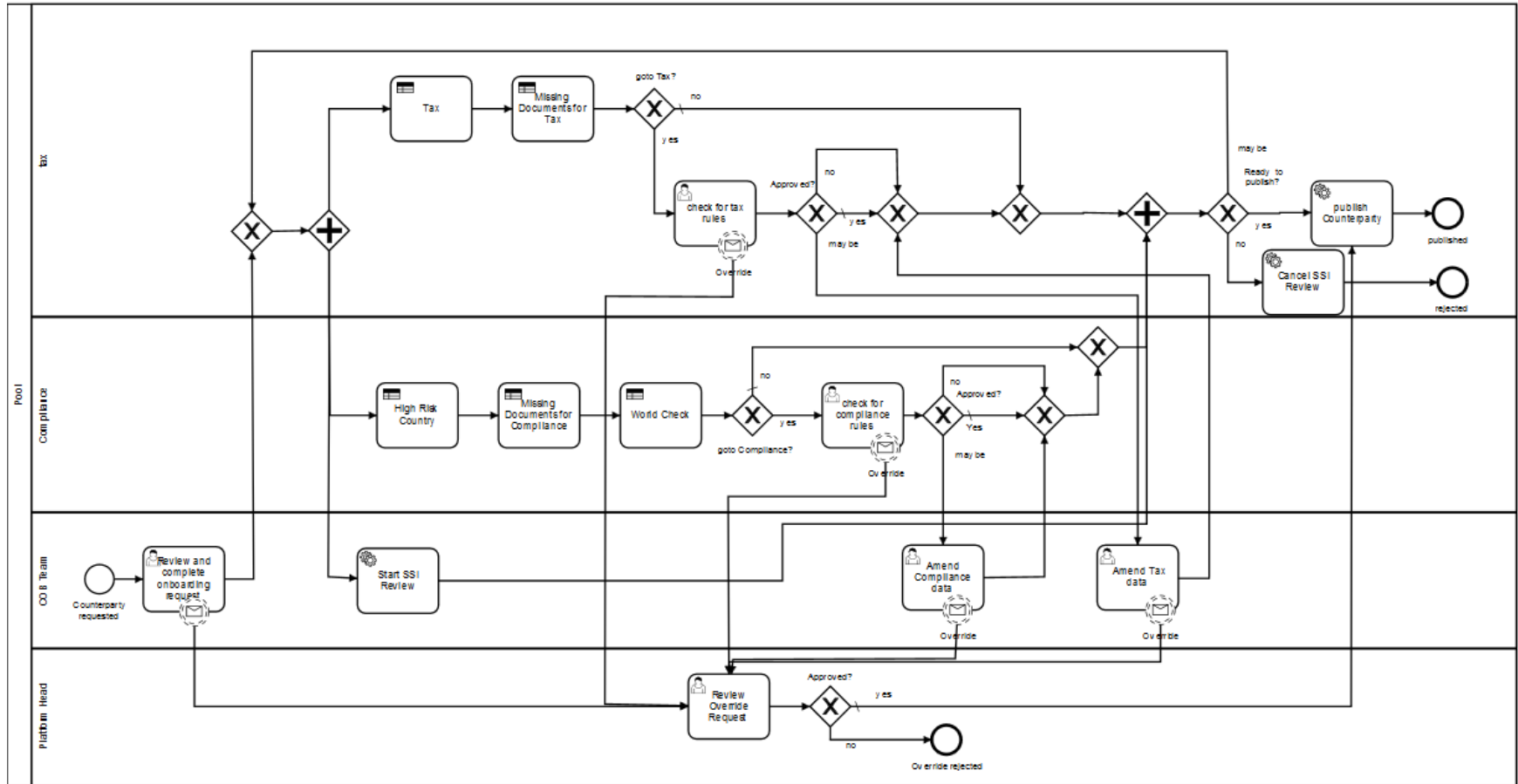
## Camunda

Open Source BPM Platform  
Based in Berlin + San  
Francisco  
No Venture Capital  
~ 30 people - growing

# What is a business process?

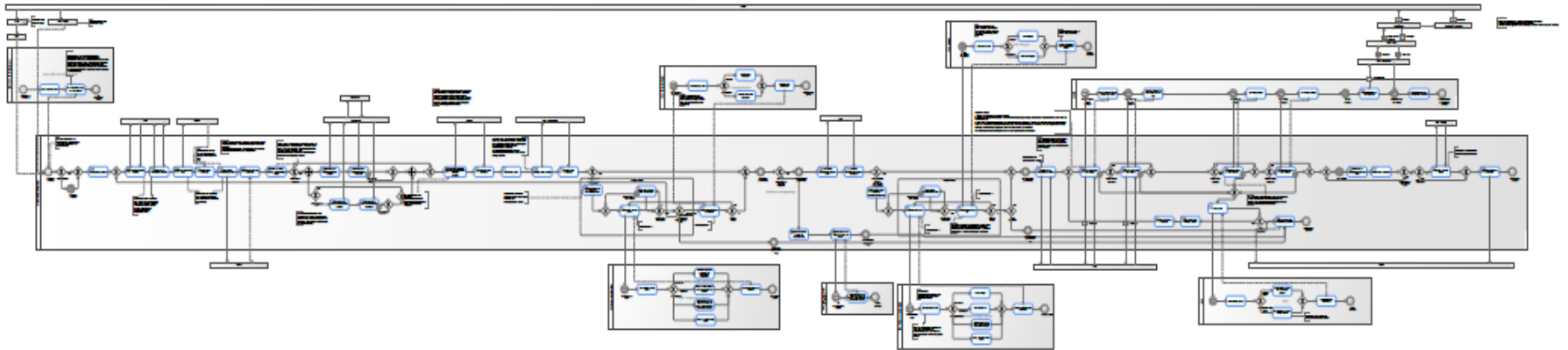


# What is a business process?



Counterparty onboarding

# What is a business process?



credit card issuing

Much more examples



**IGE | IPI**

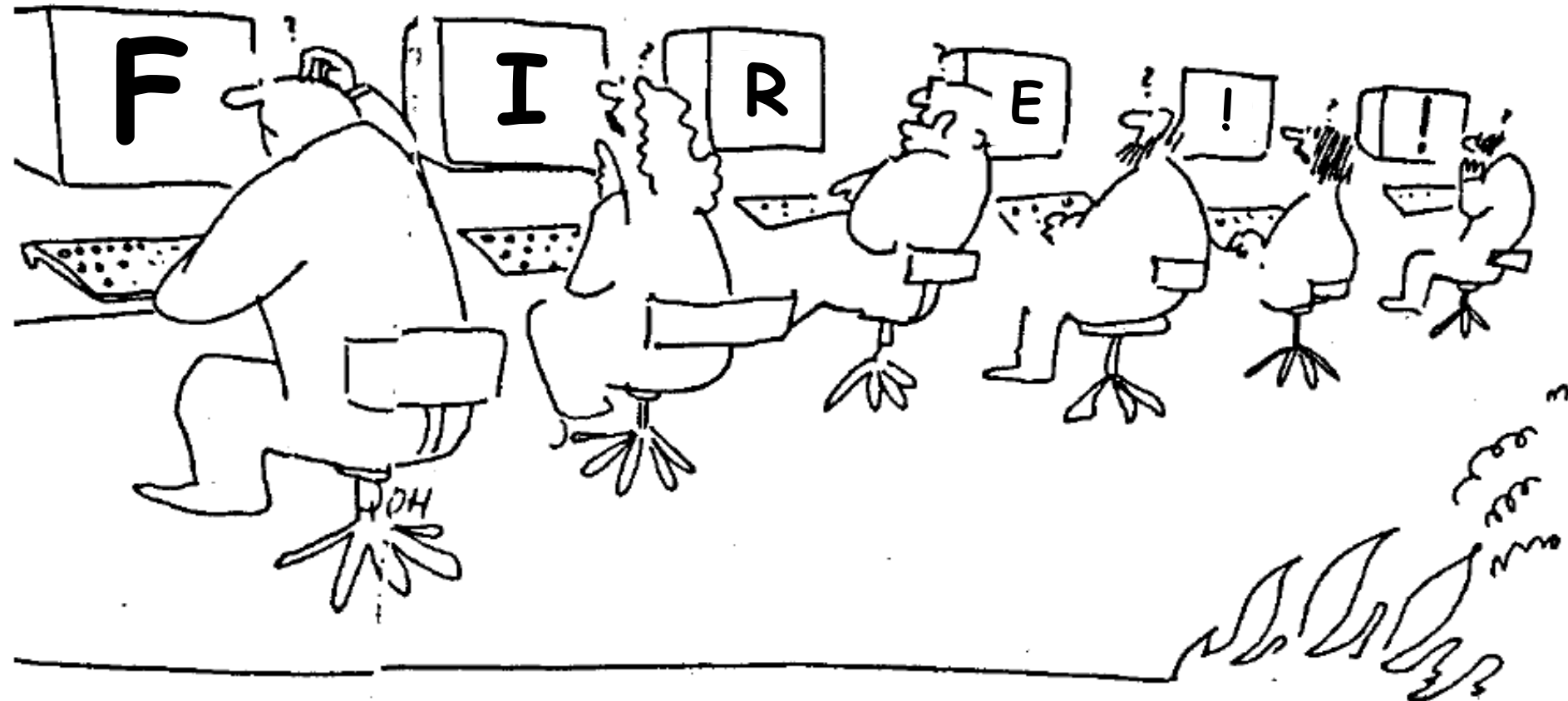


**swisscom**

How to implement this?

CODE?

Do not hide your processes!



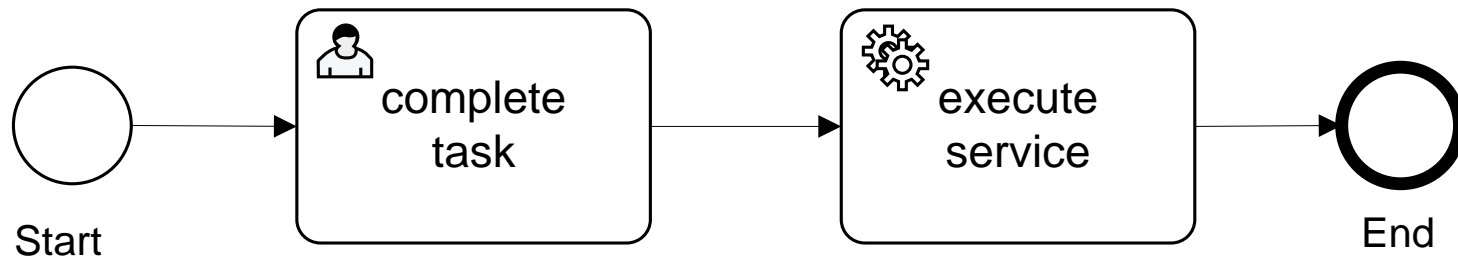
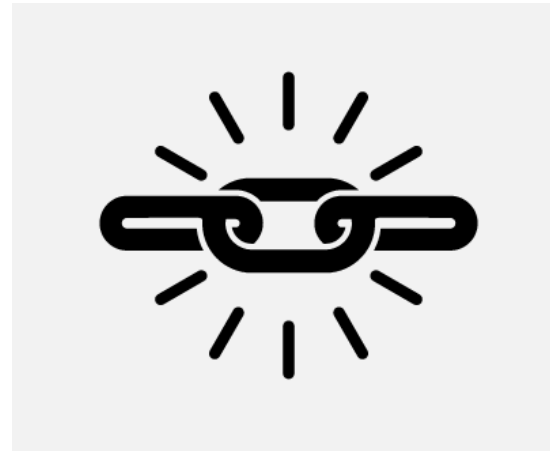


# Process Automation

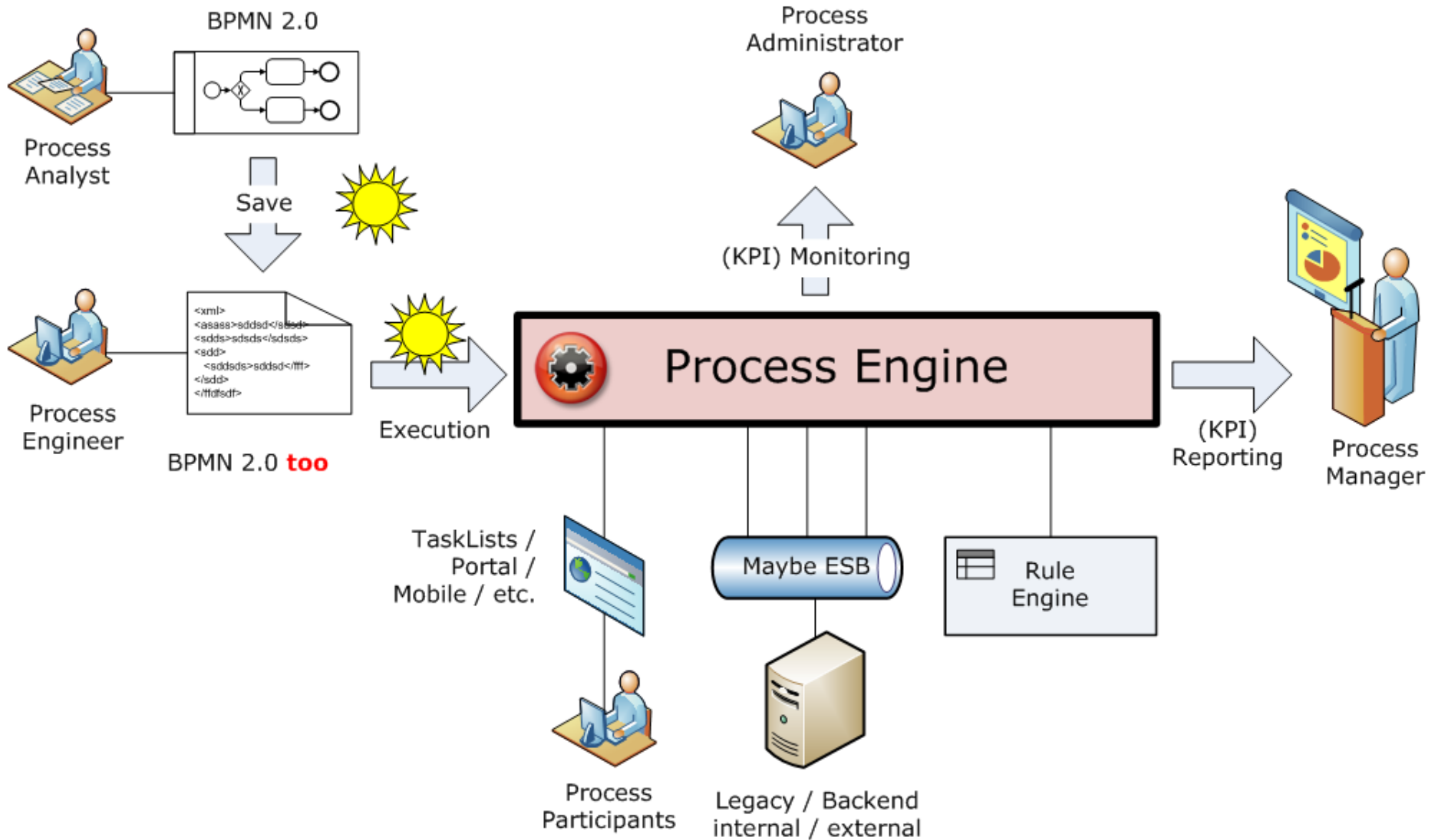
Human Task Management



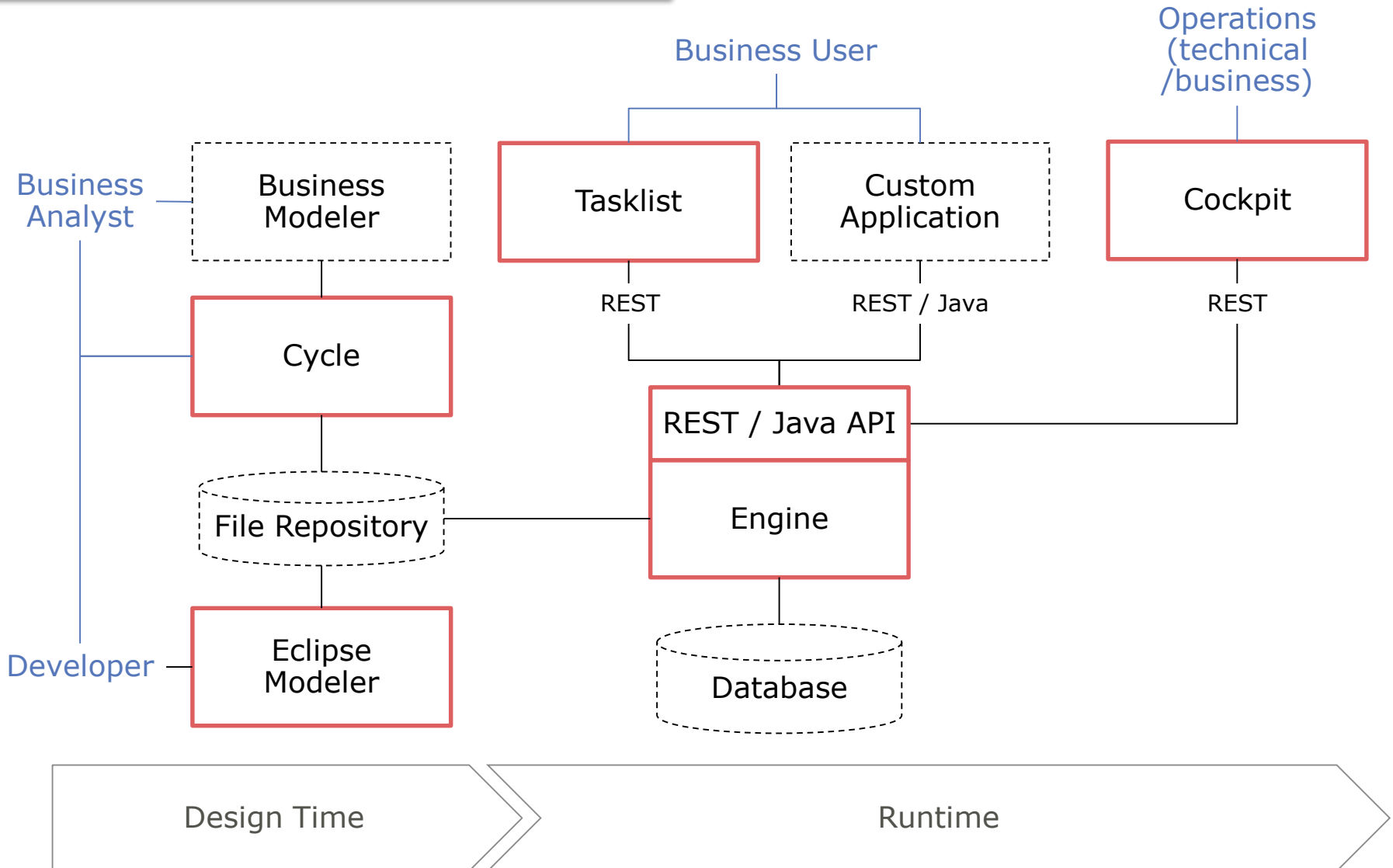
System Integration



# Architecture with BPMN 2.0



# camunda BPM components

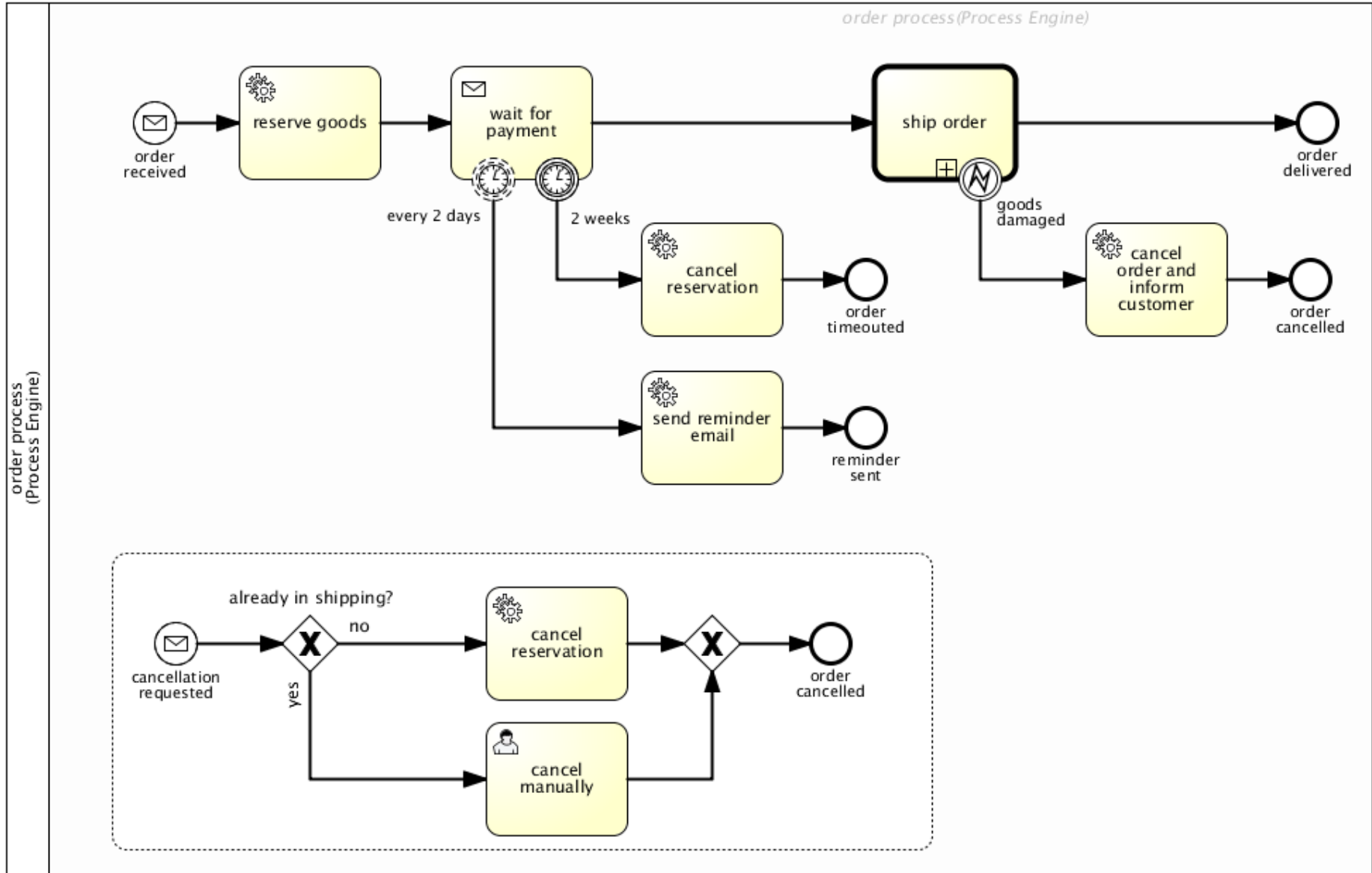


Live Demo

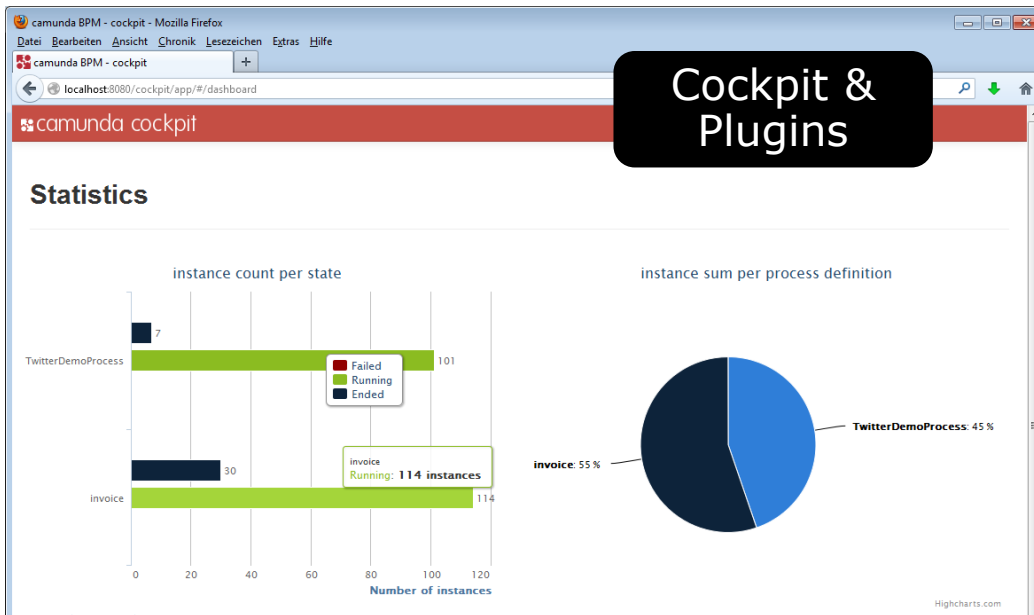
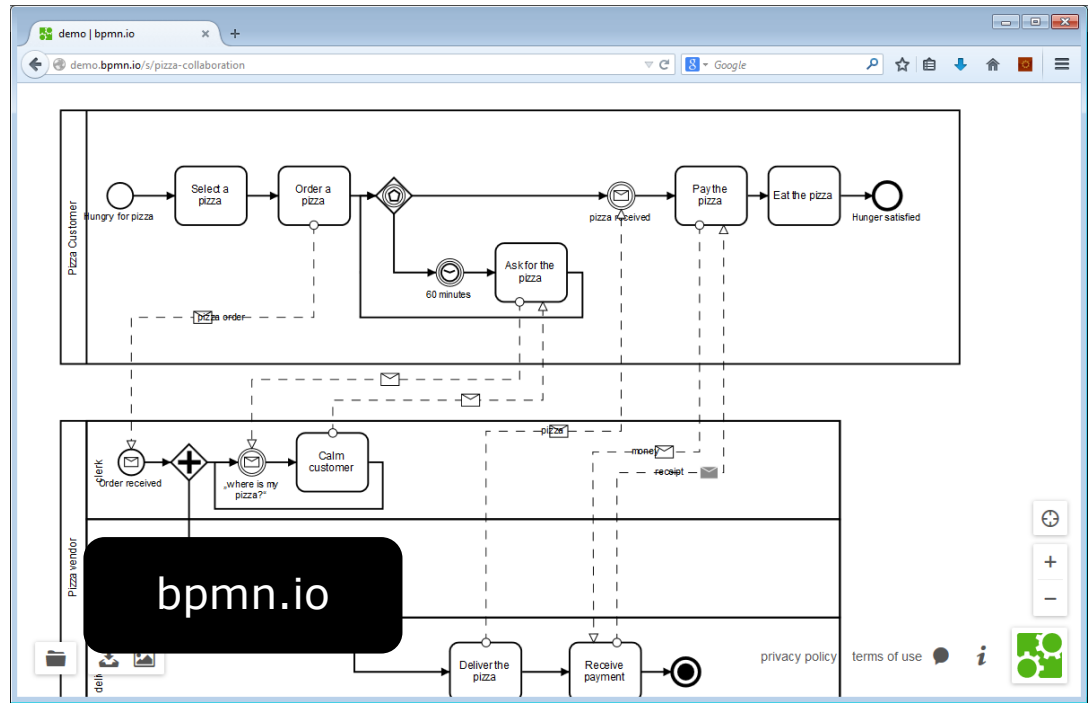
There is much more!



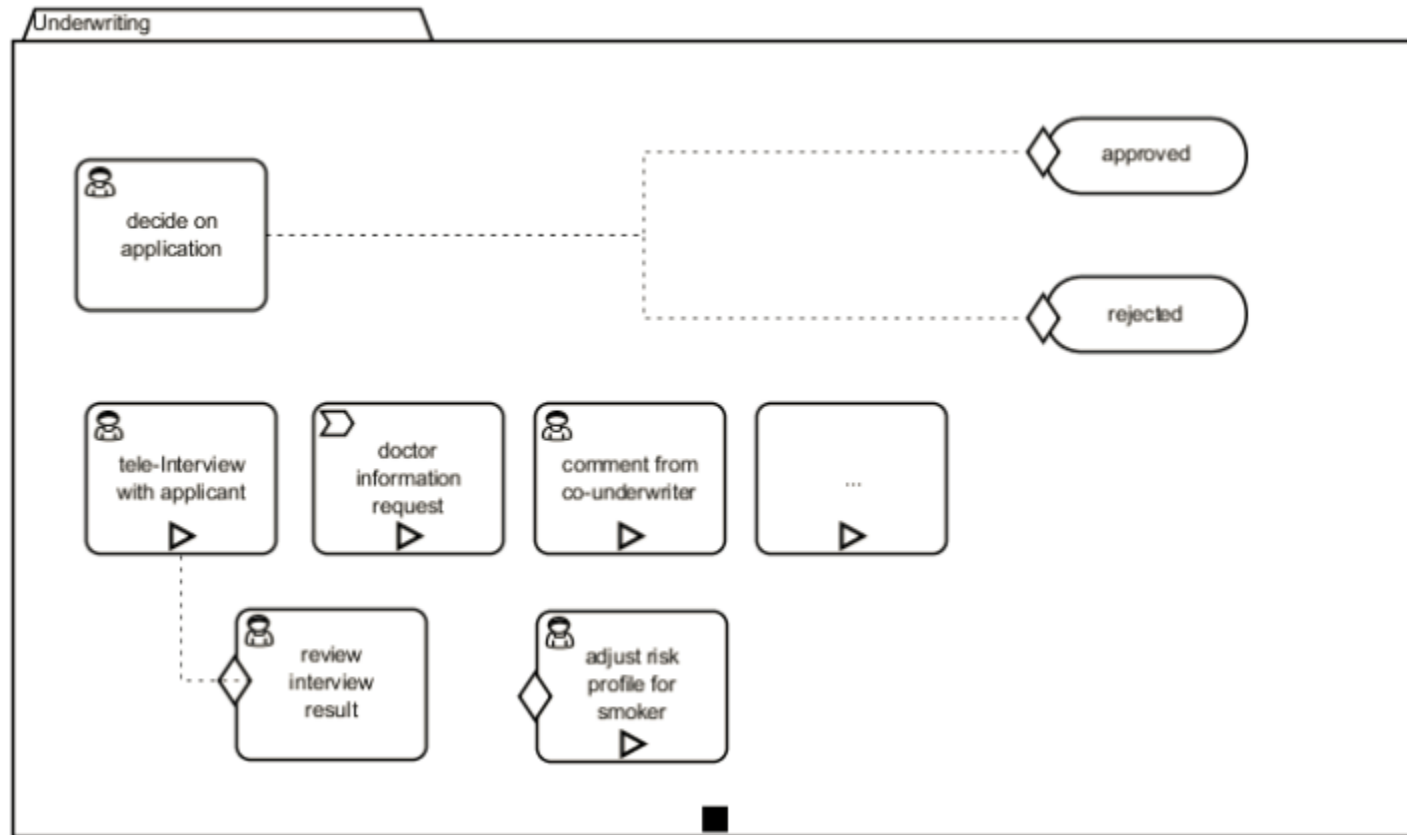
# BPMN is really powerful



# Tooling



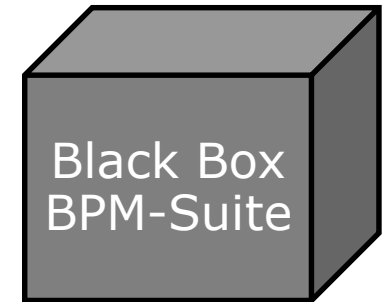
# CMMN / Case Management



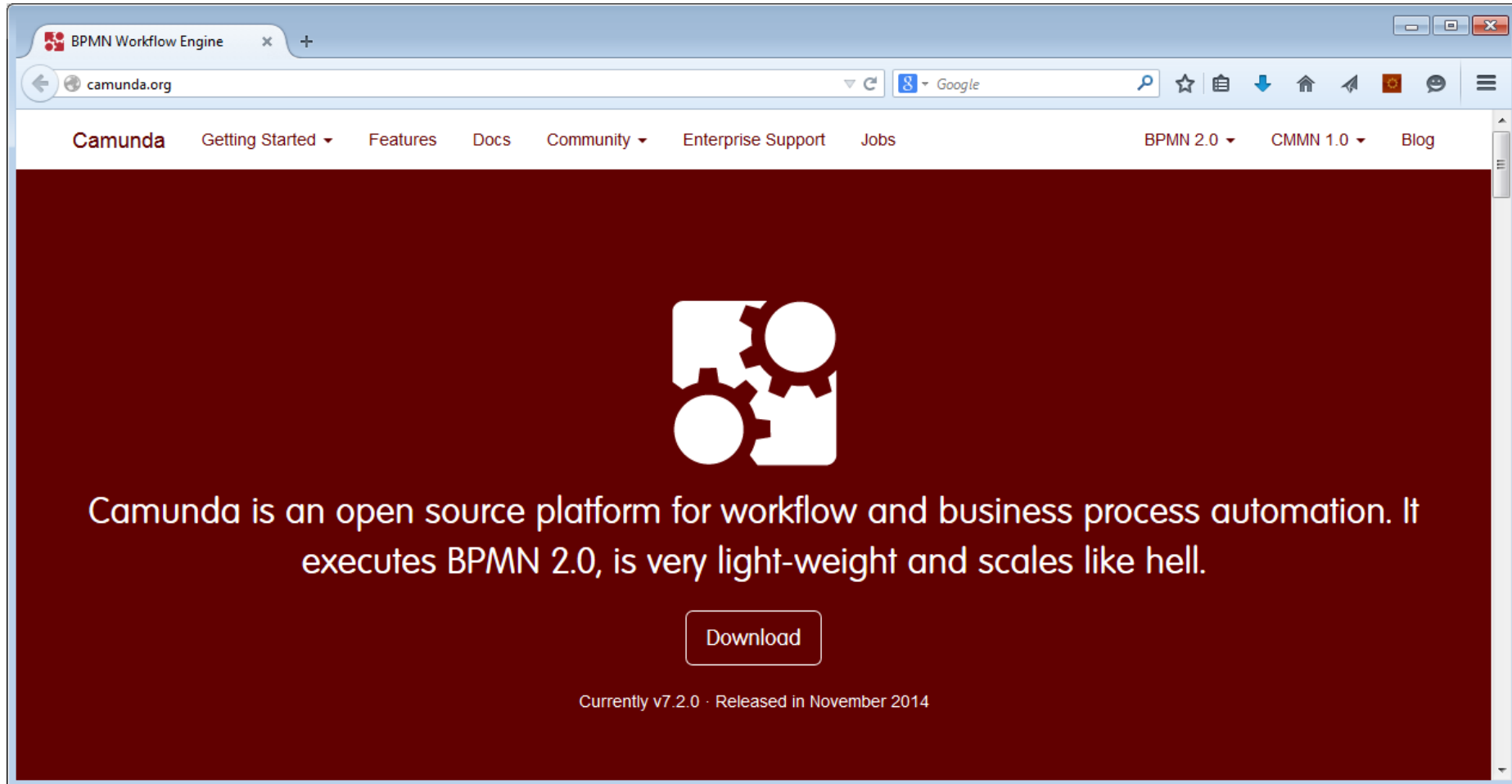


## Why is this cool?

- ✓ Passion
- ✓ Productivity
- ✓ No Vendor-Lock-In




# The Open Source project: [www.camunda.org](http://www.camunda.org)



The image shows a screenshot of a web browser displaying the Camunda website. The browser's address bar shows "camunda.org". The website's navigation menu includes "Camunda", "Getting Started", "Features", "Docs", "Community", "Enterprise Support", "Jobs", "BPMN 2.0", "CMMN 1.0", and "Blog". The main content area has a dark red background with a white icon of three interlocking gears. Below the icon, the text reads: "Camunda is an open source platform for workflow and business process automation. It executes BPMN 2.0, is very light-weight and scales like hell." A "Download" button is centered below the text. At the bottom, it says "Currently v7.2.0 · Released in November 2014".

**Camunda** Getting Started ▾ Features Docs Community ▾ Enterprise Support Jobs BPMN 2.0 ▾ CMMN 1.0 ▾ Blog



Camunda is an open source platform for workflow and business process automation. It executes BPMN 2.0, is very light-weight and scales like hell.

[Download](#)

Currently v7.2.0 · Released in November 2014

# Community Meeting in London!

The screenshot shows a web browser window with two tabs: 'BPMN Workflow Engine' and 'camunda BPM Network'. The address bar shows 'https://network.camunda.org/meetings/'. The navigation menu includes 'Meetings', 'Webinars', 'Whitepapers', 'Forums', and 'Members'. The user is logged in as 'Bernd Rucker'. The main content area features a calendar icon and the heading 'Meetings' with a sub-headline: 'Our free meetings are your opportunity to get in touch with other BPM enthusiasts, learn from their experiences and share your own opinions - so come along, get inspired and have a say!'. Below this is a section titled 'Next Meetings' with a table of upcoming events.

Date	Country	Location	Topic	Seats	Registration
March 10, 2015		Berlin	<a href="#">Camunda BPM meets Apache Cassandra</a>	20 of 30 seats left	<input type="button" value="Register now:"/>
March 20, 2015		London	<a href="#">Camunda Community Day in London</a>	26 of 40 seats left	<input type="button" value="Register now:"/>
April 16, 2015		Hamburg	<a href="#">Erfahrungsaustausch – Wo ist ACM heute?</a>	26 of 30 seats left	<input type="button" value="Register now:"/>
May 5, 2015		Nürnberg	<a href="#">Integration von Camunda mit Liferay</a>	24 of 30 seats left	<input type="button" value="Register now:"/>
June 11, 2015		Berlin	<a href="#">Erfahrungsaustausch – Wo ist ACM heute?</a>	26 of 30 seats left	<input type="button" value="Register now:"/>



Start now!

[www.camunda.org](http://www.camunda.org)

Thank you! Any questions?

